

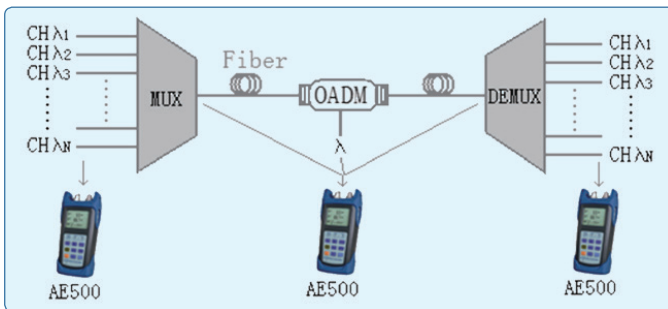
# AE500 CWDM Channel Analyzer

## Key Benefits

- Analyze 8 CWDM channels simultaneously
- All day testing with field replaceable batteries
- Create test profiles for general functions such as relative power measurement
- Store up to 400 groups of data, and manage results with Toolbox management software



The AE500 is a compact CWDM channel analyzer for installing and maintaining CWDM networks. This rugged, palm-sized unit can simultaneously verify 8 CWDM channels between the wavelengths of 1271 nm and 1611 nm, simplifying and speeding up verification of CWDM power levels and wavelengths.



## Specifications

Measurements		Specifications
Wavelength	AE500A	1471, 1491, 1511, 1531, 1551, 1571, 1591, 1611
	AE500B	1271, 1291, 1311, 1331, 1351, 1411, 1431, 1451
Channel		8
Range(dBm)		-60 to +10
Unit		dBm/dB/mW
Uncertainty(dB)		±0.5
Measurement Time(s)		8
Data Storage(group)		400
Interface		Min-USB
Power Supply		15V Adapter, Li-ion 7.4 V
Operating Temperature(°C)		-10 to +60
Dimension		185mm x 85mm x 45mm (7.3" x 3.3" x 1.8")
Weight		320g (Without Battery)